



131-521B190 R-10 (1991)  
Body Assembly

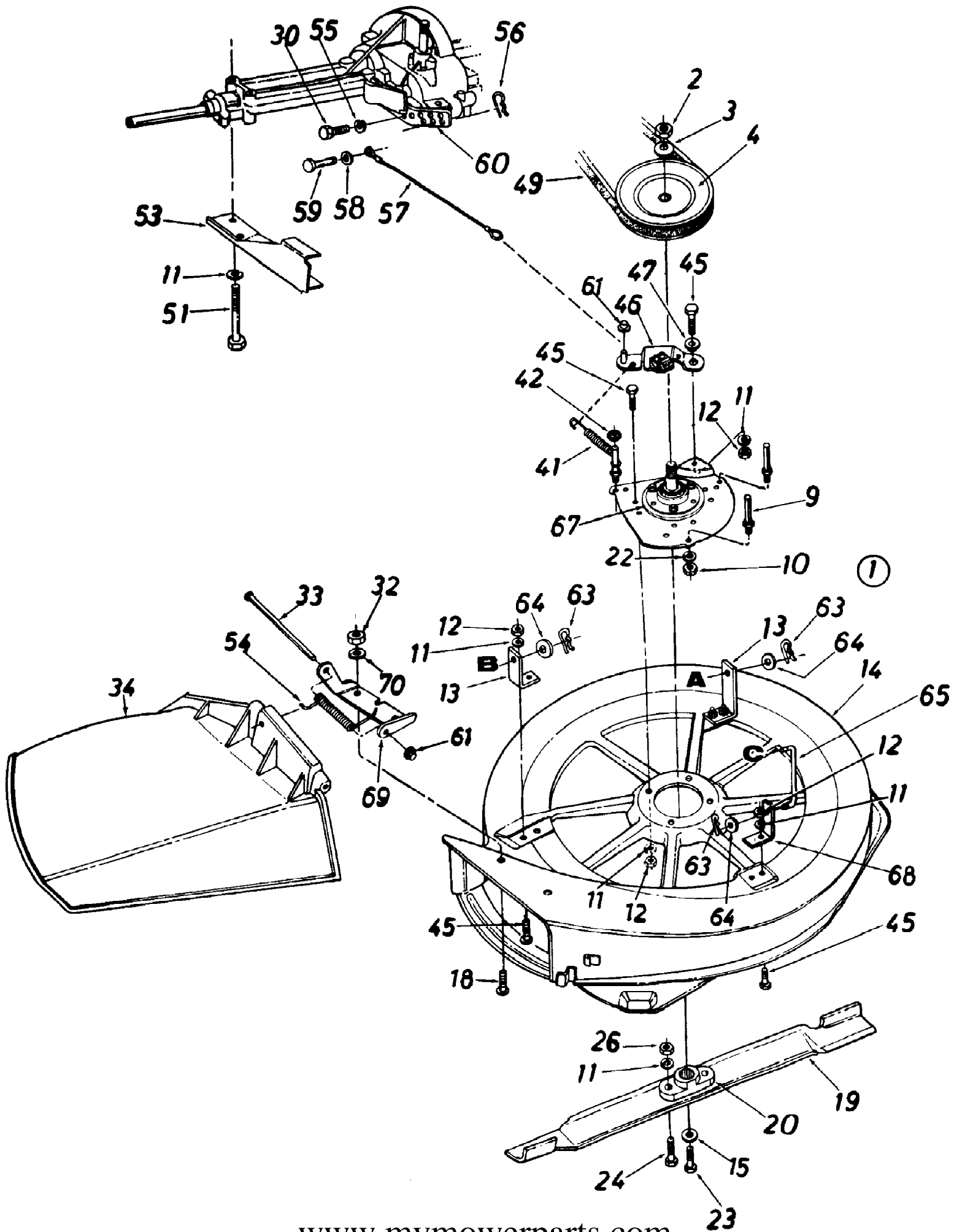
Page 2 of 22

Ref #	Part Number	Qty	S/P/F	Description
1		1		Engine
2	15572A	1	S	Engine Mounting Plate
3	710-0158	1	S	Hex Bolt 5/16-24 x 1.25" Lg.
4	736-0231	1	S	FI-Wash. .330" I.D. x 1.125" O.D.
5	722-0153	1	S	Engine Mounting Grommet
6	750-0539	1	S	Spacer .315" I.D. x .50" O.D. x.520" Lg.
7	726-0209	1	/P	Cable Tie 30.6" Lg.
8	710-0502A	1	/P	Hex Wash. Hd. Self-Tap Scr. 3/8-16 x 1.25" Lg.
9	723-0155	1		Gas Gauge (Used w/Black Fuel Tank)
	751-3071	1	S	Gas Cap (Used w/White Fuel Tank)
10	751-0368	1	S	Fuel Tank (Black)
	751-0368A	1	S	Fuel Tank (White)
11	751-0535	1		Gas Line-26 Inches
12	726-0205	1	/P	Hose Clamp-1/2" O.D. Tube
14	710-0380	1	S	Hex Bolt 5/16-18 x 1.75" Lg.
15	710-0116	1	S	Hex Bolt 5/16-18 x 2.0" Lg.
16	731-0712A	1		Front Console
17	710-0906	1	S	Plastite Scr. 5/16 x 1.25 Lg.
19	17672	1		Main Frame
20	736-0119	1	S	L-Wash. 5/16" I.D.
21	712-0267	1	S	Hex Nut 5/16-18 Thd.*
22	735-0220A	1		Floor Mat
23	710-0779A	1	/P	Truss Mach. AB-Tap Scr. #10 x .50" Lg.
25	726-0175	1	/P	Clamp
26	736-0119	1	S	L-Wash. 5/16" I.D.
27	712-0123	1	/P	Hex Nut 5/16-24 Thd.
28	17677	1		Clutch-Brake Pedal Ass'y.
29	710-0118	1	S	Hex Bolt 5/16-18 x .75" Lg
30	712-0267	1	S	Hex Nut 5/16-18 Thd.
31	736-0119	1	S	L-Wash. 5/16" I.D.
32	783-0005	1		Variable Speed Mounting Plate
33	736-0329	1	S	L-Wash. 1/4" I.D.
34	712-0287	1	S	Hex Nut 1/4-20 Thd.*
35	737-0125	1		90° Elbow Male To Female
36	731-0511-18	1	/P	Trim Strip 18" Lg.
37	746-0614A	1	/P	Choke Control
39	15552	1		Transaxle Support Ass'y.
40	710-0118	1	S	Hex Bolt 5/16-18 x .75" Lg.
41	15571	1		Rear Frame Panel
42	710-0621	1	S	Hex Bolt 5/16-18 x .50" Lg.
43	721-0207	1	S	Exhaust Gasket (R-86)
	721-0208	1	S	Exhaust Gasket (R-10)
44	751-0412	1		Muffler Ass'y. (R-86)
	751-0425	1	S	Spark Arrester For 8 H.P. Muffler (Optional)
	751-0413	1	S	Muffler Ass'y. (R-10)
	751-0426	1	S	Spark Arrester For 10 H.P. (Optional)
45	738-0635	1	S	Shld. Bolt (R-86)
	738-0636	1	S	Shld. Bolt (R-10)
46	736-0343	1	/P	FI-Wash. .33" I.D. x 1.25" O.D.
47	736-0392	1		Flange Wash. .32" I.D. x .75" O.D.
48	710-0118	1	S	Hex Bolt 5/16-18 x .75" Lg.

131-521B190 R-10 (1991)  
Body Assembly

Page 3 of 22

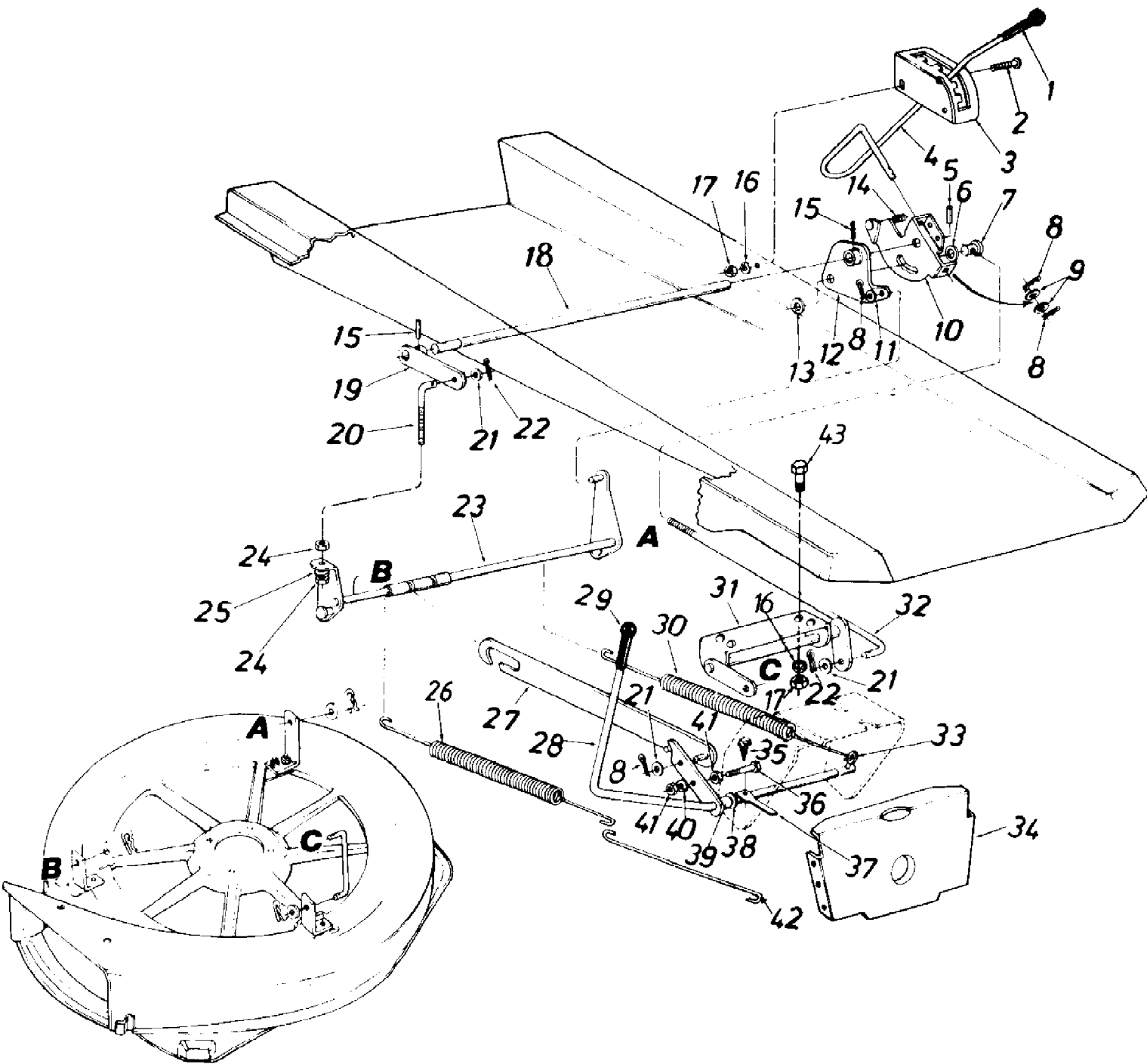
Ref #	Part Number	Qty	S/P/F	Description
49	15604	1		Seat Support & Frame Brkt.
50	710-0118	1	S	Hex Bolt 5/16-18 x .75" Lg.
55	710-0289	1	S	Hex Bolt 1/4-20 x .50" Lg.
56	15975	1		Engine Cover Ass'y.
57	831-0823A	1	/P	Throttle Control Box Ass'y.
62	725-0201	1	S	Ignition Key
63	725-0267	1	S	Ignition Switch
64	746-0503	1	S	Throttle Control Wire
65	16483A	1		Front Seat Bracket
66	15606A	1	S	Rear Seat Bracket
68	710-0118	1	S	Hex Bolt 5/16-18 x .75" Lg.
	712-0267	1	S	Hex Nut 5/16-18 Thd.
70	710-0855	1	S	Hex Tap Scr. 1/4-20 x 1.0" Lg.
71	736-0119	1	S	L-Wash. 5/16" I.D.
72	732-0632	1		Seat Spring
74	731-0555A	1	/P	Grommet
75	710-0623	1	/P	Hex Wash. Hd. Tap Scr. 3/8-16 x 3/4 " Lg.
77	710-0118	1	S	Hex Bolt 5/16-18 x .75" Lg.
78	736-0242	1	/P	Bell-Wash. .345" I.D. x .88" O.D.
79	712-0158	1	S	Hex Cent. L-Nut 5/16-18 Thd.
80	15607D	1	S	Seat Pivot Bracket
81	757-0345	1	S	Seat Ass'y. (R-86)
	757-0338	1	S	Seat Ass'y. (R-10)
93	712-0267	1	S	Hex Nut 5/16-18 Thd.
94	736-0119	1	S	L-Wash. 5/16" I.D.
96	732-0633	1	S	Compression Spring 2.61" Lg.
97	722-0160	1		Bushing
98	736-0159	1	S	FI-Wash. .344" I.D. x .875"
99	710-0376	1	/P	Hex Bolt 5/16-18 x 1" Lg. (Gr. 5)
101	725-1441	1		Seat Switch



131-521B190 R-10 (1991)  
Deck Assembly

Page 5 of 22

Ref #	Part Number	Qty	S/P/F	Description
1	17611	1		30" S.D. Deck Ass'y. Comp. (Service Only)
2	712-0318	1	/P	Hex Jam Nut 5/8-18 Thd.
3	736-0317	1	/P	Bell-Wash. .630" I.D. x 1.25n
4	756-0430	1		5/8 V-Pulley .75" I.D. x 7"
9	711-0640	1	S	Stud 3/8-16 x 2 75" Lg.
10	712-0342	1	/P	Hex Jam Nut 3/8-16 Thd.
11	736-0119	1	S	L-Wash. 5/16" I.D.
12	712-0267	1	S	Hex Nut 5/16-18 Thd.
13	16706	1		Hanger Brkt. 3.25"
14	17610	1		30" S.D. Deck Ass'y.
15	736-0217	1	S	L-Wash. 3/8n I.D. Hd.
18	710-0255	1	S	Truss Mach. Scr. 1/4-20 x .75" Lg.
19	742-0256A	1		30n High Lift Blade
20	748-0300	1		Blade Adapter
22	736-0169	1	S	L-Wash. 3/8" I.D.
23	710-0152	1	S	Hex Bolt 3/8-24 x 1.0
24	710-0888	1	/P	Hex Bolt 5/16-24 x 1.0" Lg.
26	712-0123	1	/P	Hex Nut 5/16-24 Thd.
30	710-0289	1	S	Hex Bolt 1/4-20 x 50n Lg.
32	712-0287	1	S	Hex Nut 1/4-20 Thd.
33	711-0792	1	S	Hinge Pin
34	731-1032	1	S	Chute Ass'y. Comp. (Incl. Ref. 33, 34, 54, 61, 69)
41	732-0482	1		Extension Spring .5" O.D. x 3.2" Lg.
42	726-0201	1		Push Speed Nut
45	710-0118	1	S	Hex Bolt 5/16-18 x .75
46	16053	1	S	Blade Brake Brkt. Ass'y.
47	748-0234	1	/P	Shoulder Spacer .500n Dia.
49	754-0264	1	S	"V"-Belt
51	710-0176	1	/P	Hex Bolt 5/16-18 x 2.75n
53	15625B	1		Lower Outside Belt Guard
54	732-0602	1	S	Torsion Spring
55	736-0329	1	S	L-Wash. 1/4" I.D.
56	714-0104	1	S	Int. Cot. Pin 5/16" Dia.
57	727-0296	1		Brake Cable 9 75" Lg.
58	736-0142	1	S	FI-Wash. .281" I.D. x .50"
59	711-0701	1	S	Clevis Pin 1/4" Dia.
60	15626A	1	S	Lower Inside Belt Guard
61	726-0106	1	S	Cap Speed Nut 1/4" Rod
63	714-0145	1	S	Int. Cotter Pin 1/2" Dia.
64	736-0160	1	S	FI-Wash. .531" I.D. x .930"
65	747-0428	1		Deck Link 3.9" Lg.
67	717-0916	1		Blade Spindle Ass'y. Comp.
68	15621A	1		Weld Bracket
69	703-1693	1	S	Hinge Mtg. Brkt.
70	736-0270	1	/P	Bell-Wash. 1/4" I.D.

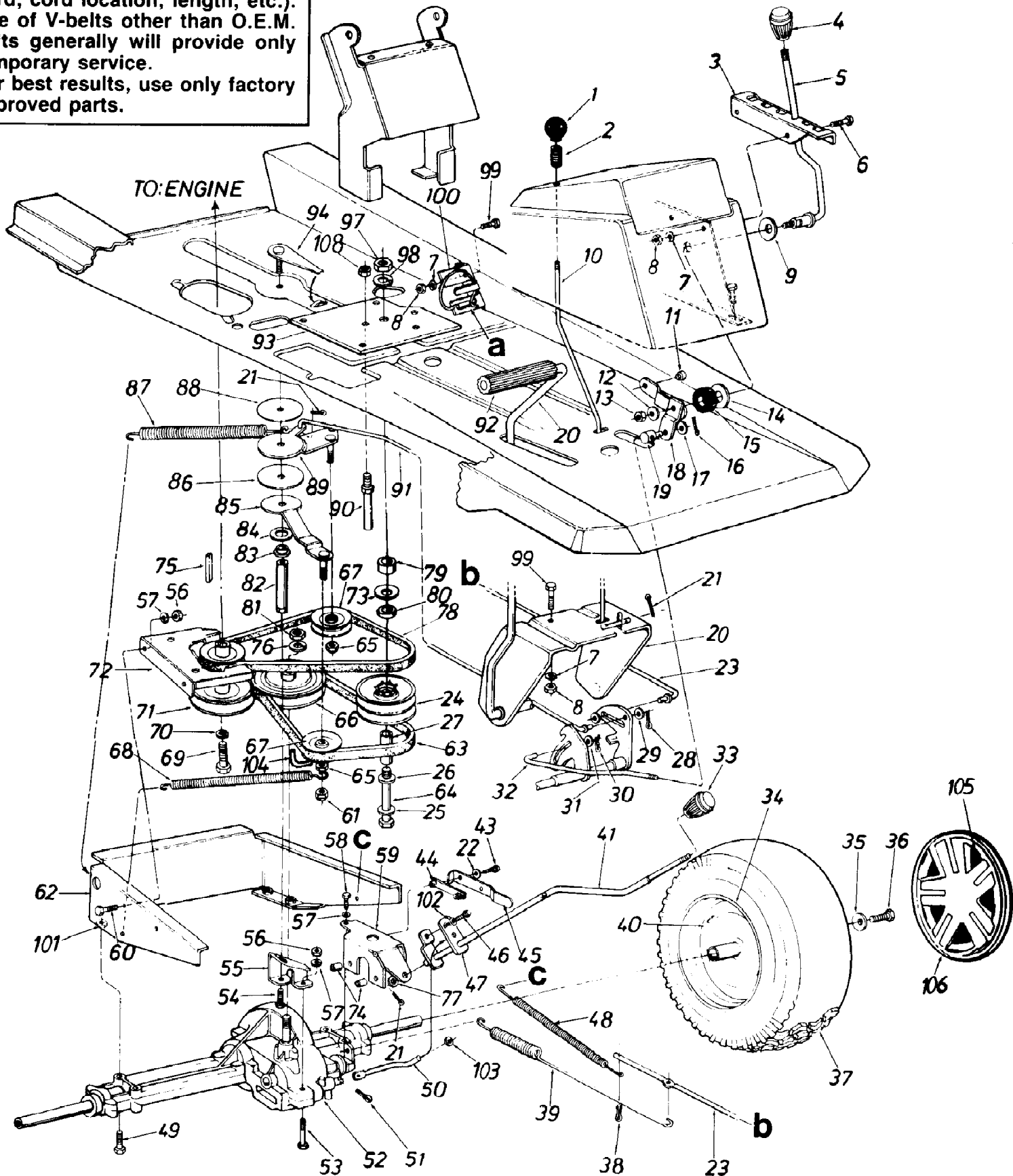


131-521B190 R-10 (1991)  
Deck Lift Assembly

Page 7 of 22

Ref #	Part Number	Qty	S/P/F	Description
1	720-0223	1		Grip
2	710-0323	1	/P	Truss Mach. Scr. 5/16-18 x .75" Lg.
3	16397	1		Deck Index Bracket
4	747-0651	1		Deck Lift Handle
5	715-0134	1	S	Spring Pin Spir. 3/16" Dia. x 1.50" Lg.
6	736-0187	1	/P	FI-Wash. .385" I.D. x .87" O.D.
7	711-0749	1		Adj. Ferrule Deck Lift Handle
8	714-0115	1	S	Cotter Pin 118" Dia. x 1.00" Lg.
9	736-0160	1	S	FI-Wash. .531" I.D. x .930" O.D.
10	16402A	1		Deck Lift Handle Retainer Ass'y.
11	736-0300	1	S	FI-Wash. .385" I.D. x .87" O.D.
12	15578	1		Deck Lift Brkt. Ass'y.-L.H.
13	736-0162	1	/P	FI-Wash. .635" I.D. x 1.04" O.D.
14	732-0430	1		Compression Spring .50" Dia. x 1.0" Lg.
15	715-0114	1	S	Spring Pin Spir. 1/4" Dia. x 1.50" Lg.
16	736-0119	1	S	L-Wash. 5116" I.D.
17	712-0267	1	S	Hex Nut 5/16-18 Thd.
18	738-0550	1		Rear Hgt. Adj. Shaft
19	15609A	1		Deck Lift Brkt. Ass'y.-R.H.
20	710-0866	1		Deck Adj. Scr. 3/8-16 Thd.
21	736-0300	1	S	FI-Wash. .385" I.D. x .87" O.D.
22	714-0145	1	S	Intern. Cotter Pin 1/2" Dia.
23	15600A	1		Deck Link Ass'y.-Rear
24	712-0798	1	/P	Hex Nut 3/8-16 Thd.*
25	736-0169	1	S	L-Wash. 3/8" I.D.
26	732-0540	1		Extension Spring .73" O.D. x 1 3.84" Lg.
27	15644A	1	S	Deck Drive Control Bracket
28	15568	1	S	Blade Engagement Lever Ass'y.
29	720-0223	1		Grip
30	732-0540	1		Extension Spring .73" O.D. x 1 3.84" Lg.
31	15573A	1	/P	Deck Lift Ass'y.-Front
32	747-0426	1		Deck Lift Connecting Rod
33	711-0753	1		Clevis Pin Special .250" Dia.
34	15613A	1		Pivot Bar Bracket
35	710-0642	1	/P	Hex TT-Tap Scr. 1/4-20 x .75" Lg.
36	710-0805	1	/P	Hex Bolt 5/16-18 x 1.50" Lg. (Grade 5)
37	732-0435	1		Switch Actuator
38	736-0160	1	S	FI-Wash. .531 I.D. x .930" O.D.
39	750-0760	1		Spacer.511" I.D. x .70" O.D. x.38" Lg.
40	736-0119	1	S	L-Wash. 5/16" I.D.
41	712-0267	1	S	Hex Nut 5/16-18 Thd.
42	732-0451B	1	/P	Spring Hook
43	710-0118	1	S	Hex Bolt 5/16-18 x .75" Lg.

**IMPORTANT:** Use only Original Equipment Manufacturer (O.E.M.) V-belts when replacing belts. They are of special construction (type of cord, cord location, length, etc.). Use of V-belts other than O.E.M. belts generally will provide only temporary service. For best results, use only factory approved parts.





131-521B190 R-10 (1991)  
Drive Mounting Assembly

Page 9 of 22

Ref #	Part Number	Qty	S/P/F	Description
1	720-0187	1		Ball Knob 1/4-20 Thd. 1.25"
2	732-0437	1		Compression Spring
3	16389	1	S	Speed Index Bracket
4	720-0232	1	S	Shift Knob
5	747-0652	1		Speed Control Lever
6	710-0323	1	/P	Truss Mach. Scr. 5/16-18 x .75" Lg.
7	736-0119	1	S	L-Wash. 5/16" I.D.
8	712-0267	1	S	Hex Nut 5/16-18 Thd.
9	736-0253	1	S	Bell-Wash. .345" I.D. x .88"
10	747-0450	1		Brake Locking Rod
11	731-0493	1		Cap
12	736-0242	1	/P	Bell-Wash. .345" I.D. x .08"
13	712-0158	1	S	Hex Cent. L-Nut 5/16-18 Thd.
14	736-0154	1		FI-Wash. .50" I.D. x 1.5" O.D.
15	735-0219	1		Rubber Washer
16	714-0145	1	S	Intern. Cotter Pin 1/2" Dia.
17	736-0275	1	S	FI-Wash. .34" I.D. x .68" O.D.
18	16396	1		Speed Control Lever Brkt. Ass'y.
19	711-0677	1	S	Ferrule-Engagement
20	17677	1		Clutch/Brake Pedal Ass'y.
21	714-0507	1	S	Cotter Pin 3/32" Dia. x .75"
22	736-0426	1		Plastic Washer
23	747-0431	1		Brake Rod
24	717-0884	1		Variable Speed Pulley Ass'y.
25	736-0247	1	/P	FI-Wash. .4" I.D. x 1.25" O.D.
26	741-0405	1	S	Thrust Brg. 1.25" O.D. x .56" I.D
27	750-0705	1		Spacer Sleeve 2.71"
28	714-0115	1	S	Cotter Pin 1/8" Dia. x 1.25"
29	736-0275	1	S	FI-Wash. .34" I.D. x .60" O.D.
30	714-0104	1	S	Intern. Cot-Pin 5/16" Dia.
31	736-0275	1	S	FI-Wash. .34" I.D. x .60" O.D.
32	747-0451	1		Speed Control Rod
33	720-0232	1	S	Shift Knob
34	734-0594	1	S	Rear Wheel Rim Only
35	736-0242	1	/P	Bell-Wash. .345" I.D. x .88"
36	710-0627	1	/P	Hex L-Bolt 5/16-24 x .75" Lg.
37	734-0591	1	/P/F	Rear Wheel Ass'y.-Comp.
	734-0275	1	/P/F	Tire Only
38	714-0470	1	S	Cotter Pin 1/8" Dia. x 1.25"
39	732-0389	1		Extension Spring 17.0" Lg.
40	734-0255	1	S	Air Valve
41	16475	1		Shift Lever Ass'y.
43	710-0227	1	/P	Hex Wash. Hd. Scr. #8 x .5" Lg.
44	726-0222	1	S	Insulator Nut
45	732-0615	1		Spring Switch
46	710-0289	1	S	Hex Bolt 1/4-20 x .50" Lg.
47	16476	1		Shift Lever Adjusting Link
48	732-0487	1		Ext. Spring 8 1/4" Lg.
49	710-0378	1	/P	Hex Bolt 5/16-18 x 2.5" Lg.
50	747-0668	1		Shift Rod
51	714-0149B	1	S	Intern. Cotter Pin
52		1		Transaxle (See Breakdowns)
53	710-0136			Hex Bolt 1/4-20 x 1.75" Lg.*

131-521B190 R-10 (1991)  
Drive Mounting Assembly

Page 10 of 22

Ref #	Part Number	Qty	S/P/F	Description
54	710-0180	1	/P	Hex Bolt 3/8-24 x .75" Lg.
55	15564A	1	S	Torque Rod Bracket
56	712-0287	1	S	Hex Nut 1/4-20 Thd.
57	736-0329	1	S	L-Wash. 1/4" I.D.
58	710-0965	1		Self-Tap Mach. Scr. Type 'C"1/4-20 x 1.37" Lg.
59	17515	1	S	Shift Lever Support Brkt.
60	710-0597	1	/P	Hex Bolt 1/4-20 x 1.00" Lg.
61	712-0262	1	/P	Hex L-Nut 3/8-24 Thd.
62	15552	1		Transaxle Support Ass'y.
63	754-0240	1	S/F	V-Belt
64	710-0693	1	/P	Hex Bolt 3/8-16 x 4.5" Lg.
65	712-0116	1	S	Hex Ins. L-Nut 3/8-24 Thd.
66	756-0390	1		V-Pulley (717-0775 Trans.)
	756-0579	1	S	V-Pulley (618-0025 Trans.)
67	756-0116	1	S	V-Belt Idler .38" I.D. x 3.06"
68	732-0308	1	S	Ext. Spring .50" O.D. x 6.37"
69	710-0314	1	/P	Hex Bolt 7/16-20 x 1.00" Lg.
70	736-0171	1	S	L-Wash. 7/16" I.D.
71	756-0391	1		Engine Pulley (R-86)
	756-0509	1		Engine Pulley (R-10)
72	15623	1	S	Upper Eng. Belt Guard
73	736-0219	1	S	Bell-Wash. .4" I.D. x 1.12" O.D.
74	750-0686	1		Spacer.256" I.D. x .50" O.D.
75	714-0114	1	S	Sq.-Key 1/4" x 2.00" Lg.
76	736-0921	1	S	L-Wash. 1/2" I.D. (717-0775 0 Trans.)
	736-0427	1	S	Bell-Wash. .567" I.D. x 1.125" (618-0025 Trans.)
77	736-0226	1	S	FI-Wash. .469" I.D. x .88" O.D.
78	754-0241	1	S/F	V-Belt
79	750-0706	1	S	Spacer 1.00" x .380" O.D.
80	741-0405	1	S	Thrust Wash. .56" I.D. x 1.25" O.D.
81	712-0922	1	/P	Hex Nut 1/2-13 Thd.* (717-0775 0 Trans.)
	712-3035	1	/P	Hex Jam Nut 9/16-18 Thd. (618-0025 Trans.)
82	711-0676	1		Torque Rod
83	748-0294	1		Flange Bearing .378
84	736-0187	1	/P	FI-Wash. .640" I.D. x 1.24"
85	15569A	1	S	Idler Bracket Ass'y.
86	736-0283	1		Thrust Wash. .635" I.D.
87	732-0556	1	S	Extension Spring 7.58" Lg.
88	736-0284	1	S	Thrust Wash. .385" I.D.
89	15585	1		Idler Bracket Ass'y. For Clutch
90	711-0640	1	S	Belt Guard Pin 3/8-16 x 2.75" Lg.
91	747-0560	1		Clutch Rod
92	735-0196	1	S	Foot Pad
93	783-0005	1		Variable Speed Mtg. Plate
94	15642	1		Weld Bolt Brkt. Ass'y.
97	712-0798	1	/P	Hex Nut 3/8-16
98	736-0217	1	S	L-Wash. 3/8 Heavy Duty
99	710-0118	1	S	Hex Bolt 5/16-18 x .75" Lg.
100	17839	1	S	Speed Control Rod Brkt.
101	712-0265	1		5/16-18 Thd.

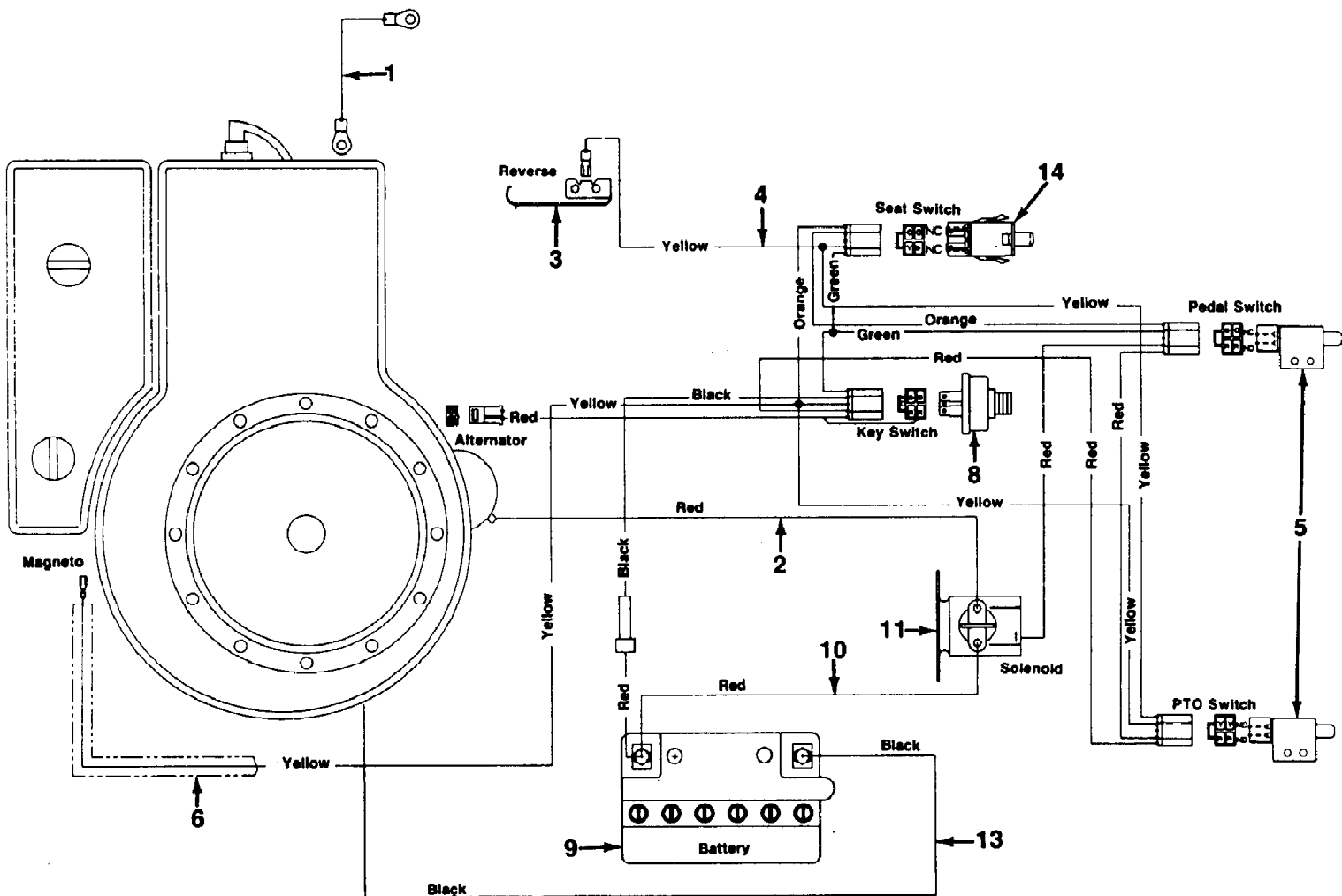
131-521B190 R-10 (1991)  
Drive Mounting Assembly

Page 11 of 22

Ref #	Part Number	Qty	S/P/F	Description
102	736-0270	1	/P	Bell-Wash. .265" I.D. x .75" O.D.
103	726-0231	1	S	Push On Retaining Ring
104	747-0758	1		Belt Guard
105	727-0425A	1	S	Spring Clip
106	734-1504	1	S	Hub Cap
	732-0525	1		Comp. Spring Clip
108	712-0181	1	S	Hex Top L-Jam Nut 3/8-16 Thd.

131-521B190 R-10 (1991)  
Electrical System

Page 12 of 22

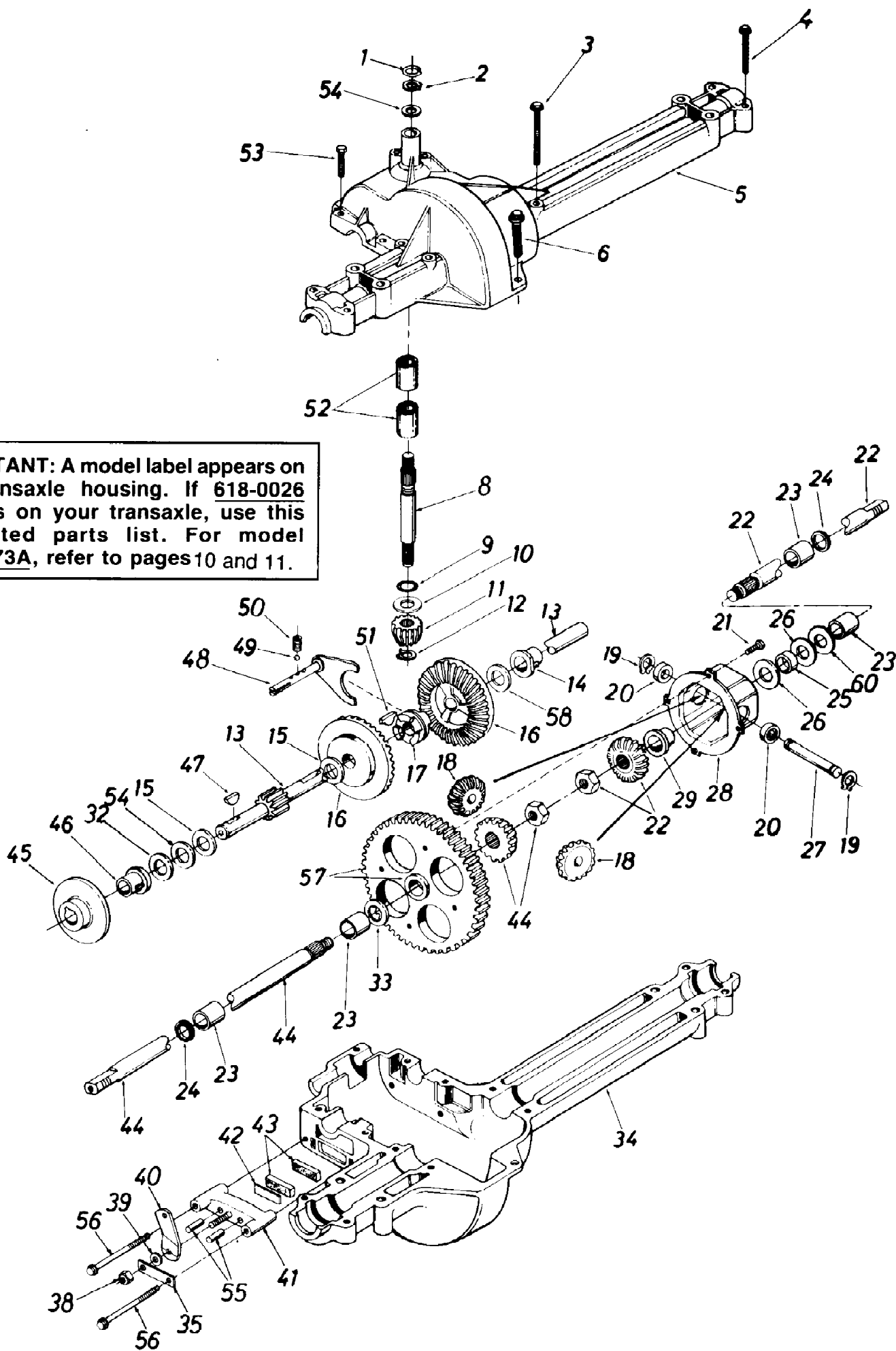


131-521B190 R-10 (1991)  
Electrical System

Page 13 of 22

Ref #	Part Number	Qty	S/P/F	Description
1	725-0977	1	S	Elec. Wire 8 Ga. x 9.0" Lg.
2	725-0424	1	S	Elec. Wire
3	732-0615	1		Spring Switch-Reverse
4	725-1431	1		Wire Harness
5	725-3169	1	S	Safety Switch
6	731-0757	1		Convolute Tubing 29" Lg.
8	725-0267	1	S	Ignition Switch
9	725-0514A	1	S	Battery 12V
10	725-0927	1		Elec. Wire Red w/Boot
11	725-1426	1	S	Solenoid
13	725-0975	1		Elec. Wire 8 Ga. x 9.0" Lg.
14	725-1441	1		Seat Switch

131-521B190 R-10 (1991)  
Single Speed Transaxle Left Hand (618-0025)



**IMPORTANT:** A model label appears on the transaxle housing. If 618-0026 appears on your transaxle, use this illustrated parts list. For model 717-0873A, refer to pages 10 and 11.

131-521B190 R-10 (1991)  
Single Speed Transaxle Left Hand (618-0025)

Page 15 of 22

Ref #	Part Number	Qty	S/P/F	Description
1	732-0614	1		Wire Ring
2	716-0108	1	S	Retaining-Ring
3	710-0854	1	S	Hex Bolt 1/4-20 x 1.75" Lg.
4	710-0809	1		Hex Tap Scr. 1/4-20 x 1.25" Lg.
5	717-0764A	1	S	Upper Housing
6	710-0642	1	/P	Hex TT-Tap Scr. 1/4-20 x .75" Lg.
8	711-0861	1		Input Shaft
9	721-0178	1	S	Square Seal 5/8" I.D.
10	736-0335	1	S	Thrust Washer 5/8" I.D. x 1.25" O.D.
11	717-0633	1	S	Pinion Input 14T
12	716-0171	1	S	Retaining Ring
13	717-0768	1		Drive Shaft
14	741-0336	1	S	Flange Brg. 5/8" I.D. x 3/4" Lg.
15	736-0335	1	S	FI-Wash. 5/8" I.D. x 1.25"
16	717-0757	1		Bevel Gear 42T
17	717-0667	1	S	Clutch Collar
18	717-1020	1	/P	Miter Gear 15T (H.D.)
19	716-0184	1	S	Snap Ring
20	741-0589	1	S	Thrust Bearing
21	710-0862A	1	/P	Pan Head Scr. 1/4-20 x .50" Lg. w/Patch
22	717-0539	1		Axle R.H. Ass'y.
23	741-0340	1	S	Sleeve Bearing 3/4" I.D. x 1.0" Lg.
24	721-0179	1	S	Oil Seal 3/4" I.D.
25	750-0827	1		Axle Spacer
26	736-0445	1	S	FI-Wash. .760" I.D. x 1.5n O.D.
27	711-0918	1	/P	Cross Shaft
28	717-1252	1	S	Differential Cam Ass'y.
29		1		Part of Ref. 28
32		1		Washer
	736-0495	1	S	Thrust Wash. 5/8" I.D. x 1" O.D. x .025" Thk.
	736-0336	1	S	FI-Wash. 5/8" I.D. x 1" O.D. x .030" Thk.
	736-0494	1		Thrust Wash. 5/8" I.D. x 1" O.D. x .035" Thk.
	736-0337	1	S	FI-Wash. 5/8" I.D. x 1" O.D. x .040" Thk.
33	736-0445	1	S	FI-Wash. .760" I.D. x 1.5n O.D.
34	719-0303	1	S	Lower Housing
35	718-0150	1	F	Anti-Rotation Brkt.
38	712-0273	1	S/F	Hex Nut 5/16-24 Thd.
39	736-0371	1	/P/F	FI-Wash. .344" I.D. x .875n O.D.
40	717-0700	1	/P/F	Actuating Arm
41	761-0198	1	S/F	Brake Yoke
42	717-0682	1	S/F	Puck Plate
43	717-0678	1	S/F	Brake Puck
44	717-0765	1	S	Axle L.H. Ass'y.
45	717-0677	1	/P/F	Brake Disc
46	741-0337	1	S	Flange Bearing 5/8" I.D. x 15/16n Lg.
47	714-0161	1	S	Woodruff Key 3/16 x 5/8 HT
48	717-0754	1	S	Shift Fork Ass'y.
49	741-0862	1	/P	Ball Detent .250" Dia.
50	732-0863	1	S	Spring Detent
51	714-0169	1	S	#9 Hi-Pro Key 3/16" x 3/4" Dia. HT
52	741-0335	1	S	Needle Brg. 5/8" I.D. x 1/2" Lg.
53	710-0855	1	S	Hex Bolt 1/4-20 x 1.00" Lg
54	736-0349	1	S	FI-Wash. 5/8" I.D. x 1" O.D. x .020 Thk.

131-521B190 R-10 (1991)  
Single Speed Transaxle Left Hand (618-0025)

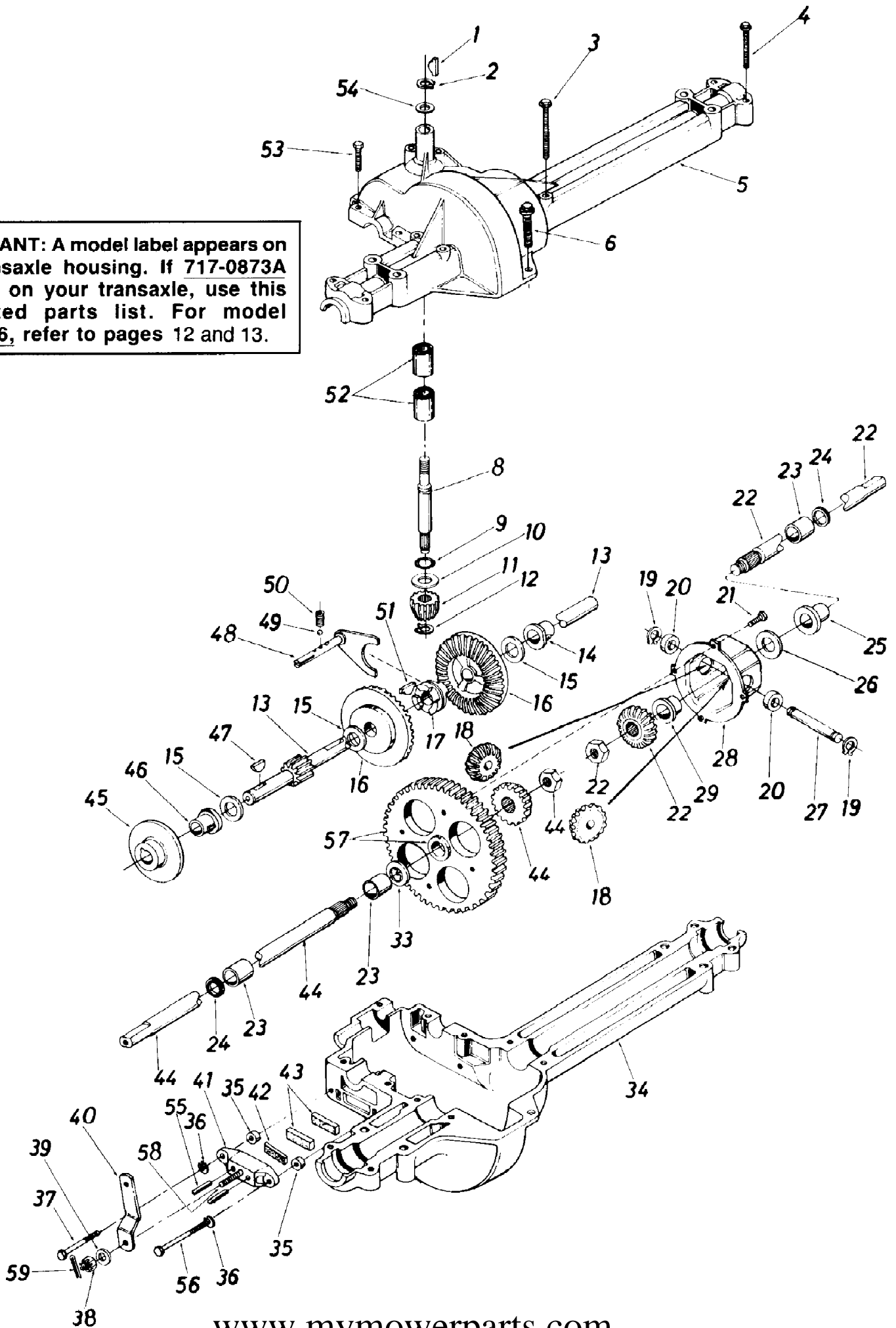
Page 16 of 22

Ref #	Part Number	Qty	S/P/F	Description
55	741-0343	1	S/F	Actuating Pin 5/16" Dia.
56	710-1206	1	/P/F	Hex Wash Hd. Self-Tap Scr. 1/4-20 Thd.
57	717-0767	1	S	Differential Gear 72T Ass'y. w/Bearing
58	736-0349	1	S	FI-Wash. 5/8" I.D. x In O.D. x .020 Thk.
	736-0495	1	S	Thrust Wash. 5/8n I.D. x 1" O.D. x .025" Thk.
60		1		Washer
	736-0492	1	S	FI-Wash. .76" I.D. x 1.5" O.D. x .010" Thk.
	736-0493	1	S	FI-Wash. .76" I.D. x 1.5" O.D. x .020" Thk.
	736-0351	1	S	FI-Wash. .76" I.D. x 1.5" O.D. x .030" Thk.
	736-0445	1	S	FI-Wash. .76" I.D. x 1.5" O.D. x .060" Thk.
	737-0148	1	S	Grease-Shell (10 oz.)



131-521B190 R-10 (1991)  
Single Speed Transaxle Left Hand (717-0775)

**IMPORTANT:** A model label appears on the transaxle housing. If 717-0873A appears on your transaxle, use this illustrated parts list. For model 618-0026, refer to pages 12 and 13.



131-521B190 R-10 (1991)  
Single Speed Transaxle Left Hand (717-0775)

Page 18 of 22

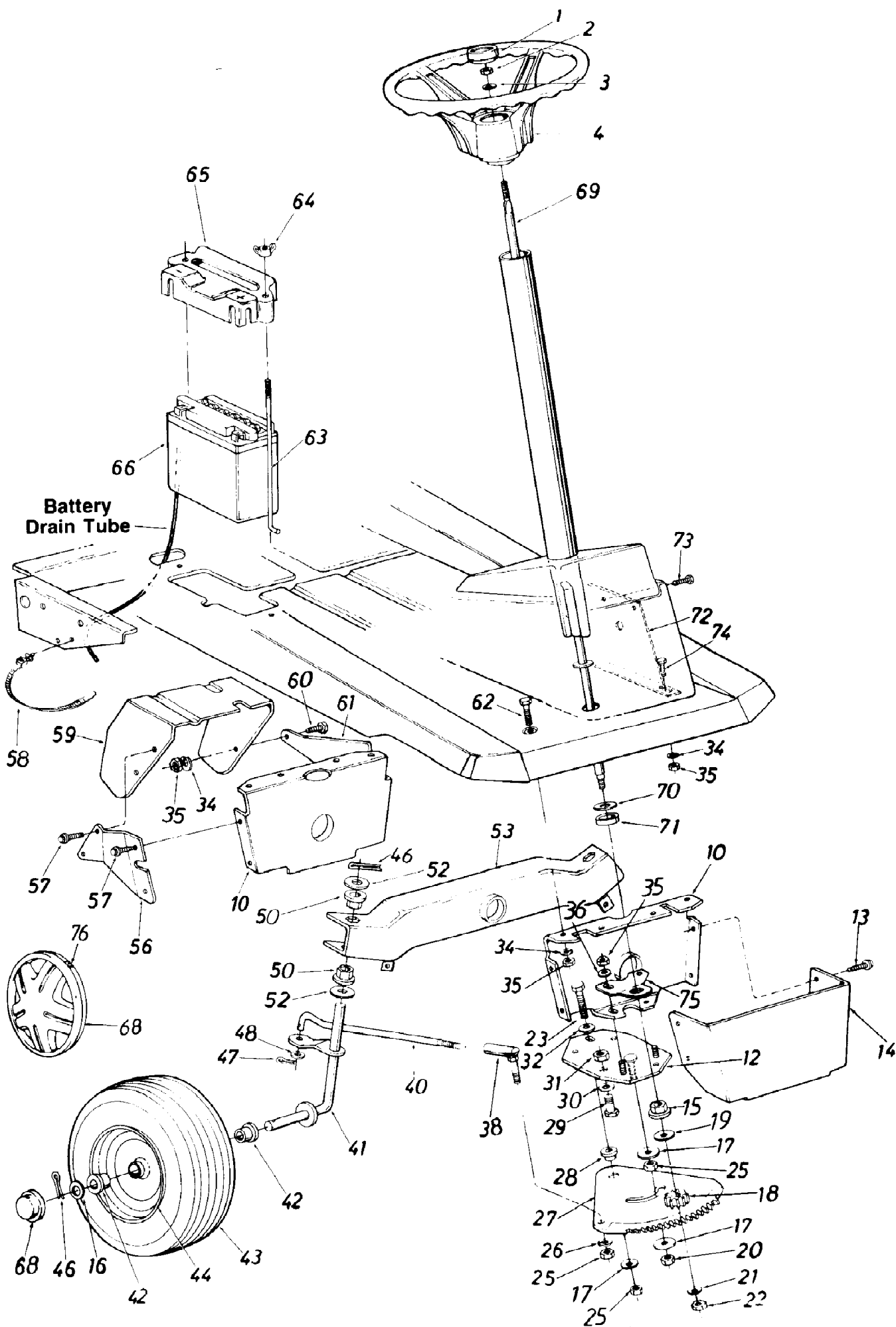
Ref #	Part Number	Qty	S/P/F	Description
1	714-0129	1	S	#4 Hi-Pro Key 3/32 x 5/8" Dia.
2	716-0115	1	S	Snap Ring .625" Shaft
3	710-0854	1	S	Hex Bolt 1/4-20 X 1.75" Lg.
4	710-0809	1		Hex Tap Scr. 1/4-20 x 1.25" Lg.
5	717-0764	1	S	Upper Housing
6	710-0642	1	/P	Hex TT-Tap Scr. 1/4-20 X .75" Lg.
8	717-0634A	1	/P	Input Shaft
9	721-0178	1	S	Square Seal 518" I.D.
10	736-0335	1	S	Thrust Washer 518" I.D. x 1 25" OD
11	717-0633	1	S	Pinion Input 14T
12	716-0108	1	S	Retaining Ring 7/16" Ext.
13	717-0768	1		Drive Shaft
14	741-0336	1	S	Flange Brg. 5/8" I.D. x 3/4" Lg.
15		1		FI-Wash.
	736-0349	1	S	FI-Wash. 5/8" I.D. x 1.0" O.D. x .020" Thk.
	736-0336	1	S	FI-Wash. 5/8" I.D. x 1.0" O.D. x .030" Thk.
	736-0337	1	S	FI-Wash. 5/8" I.D. x 1.0" O.D. x .040" Thk.
16	717-0757	1		Bevel Gear 42T
17	717-0667	1	S	Clutch Collar
18	717-1020	1	/P	Miter Gear 15T (H .D.)
19	716-0184	1	S	Retainer Ring
20	741-0589	1	S	Thrust Bearing
21	710-0862A	1	/P	Pan Head Scr. 1/4-20 X .50" Lg. w/Patch
22	717-0766	1	S	Axle R.H. Ass'y.-Kit
23	741-0340	1	S	Sleeve Bearing 3/4" I.D. x 1.0" Lg.
24	721-0179	1	S	Oil Seal 3/4" I.D.
25	741-0339	1	S	Flange Bearing 3/4" I.D. x 15/16" Lg.
26	736-0351	1	S	FI-Wash. .760" I.D. x 1.5" O.D.
27	711-0918	1	/P	Cross Shaft
28	717-0777	1	S	Differential Housing Ass'y.
29		1		Part of Ref. 28
33	736-0351	1	S	FI-Wash. .760" I.D. x 1.5" O.D.
34	717-0761A	1	S	Lower Housing
35	750-0555	1	F	Spacer .53" O.D. x 3/8" Lg.
36	736-0329	1	S/F	L-Wash. 1/4" I.D.
37	710-0886	1	S/F	Hex Bolt 1/4-20 x 1.50" Lg. (Grade 5)
38	712-0335	1	S/F	Castle Nut 5/16-24 Thd.
39	736-0159	1	S/F	FI-Wash. .344" I.D. x .875" O.D.
40	717-0772	1	S/F	Actuating Arm
41	717-0679	1	F	Brake Yoke
42	717-0682	1	S/F	Puck Plate
43	717-0678	1	S/F	Brake Puck
44	717-0765	1	S	Axle L.H. Ass'y.-Kit
45	717-0677	1	/P/F	Brake Disc
46	741-0337	1	S	Flange Bearing 5/8" I.D. x 15/16" Lg.
47	714-0161	1	S	Woodruff Key 3/16 x 5/8 HT
48	717-0754	1	S	Shift Fork Ass'y.
49	741-0862	1	/P	Ball Detent .250" Dia.
50	732-0863	1	S	Spring Detent
51	714-0169	1	S	#9 Hi-Pro Key 3/16" x 3/4" Dia. HT
52	741-0335	1	S	Needle Brg. 5/8" I.D. x 1/2"
53	710-0855	1	S	Hex Bolt 1/4-20 x 1.00" Lg.
54	736-0336	1	S	FI-Wash. 5/8" I.D. x .030"

131-521B190 R-10 (1991)  
Single Speed Transaxle Left Hand (717-0775)

Page 19 of 22

Ref #	Part Number	Qty	S/P/F	Description
55	741-0343	1	S/F	Actuating Pin 5/16" Dia.
56	710-0966	1	F	Hex Bolt 1/4-20 x 2.50" Lg. (Grade 5)
57	717-0767	1	S	Differential Gear 72T Ass'y. w/Bearing
58	717-0681	1	S/F	Sq. Hd. Bolt 5/16-24 Thd.
59	714-0111	1	S/F	Cotter Pin 3/32" Dia. x 1 Lg
	737-0148	1	S	Grease-Shell (10 oz.)

131-521B190 R-10 (1991)  
Steering Assembly



131-521B190 R-10 (1991)  
Steering Assembly

Page 21 of 22

Ref #	Part Number	Qty	S/P/F	Description
1	731-0220	1	S	Steering Wheel Cap
2	712-0237	1	S	Hex L-Nut 5/16-24 Thd.
3	736-0242	1	/P	Bell-Wash. .345" I.D. x .88" O.D.
4	731-0805	1	S	Steering Wheel Ass'y.
10	15613A	1		Pivot Bar Bracket
12	17653A	1		Steering Gear Support Brkt.
13	710-0776A	1	S	Hex Wash. Hd. AB-Tap Scr. 1/4 X .62" Lg.
14	15608	1		Steering Gear Cover
15	741-0225	1	S	1 Hex Flange Bearing
16	736-0285	1	/P	FI-Wash. .64" I.D. x 1.5" O.D.
17	736-0320	1	/P	FI-Wash. 3/8" I.D. x 1.37" O.D.
18	748-0290	1	S	Steering Pinion Gear
19	736-0272	1	S	FI-Wash. .51" I.D. x 1" O.D.
20	712-0116	1	S	Hex L-Nut 3/8-24
21	736-0275	1	S	FI-Wash. .34" I.D. x .68" O.D.
22	712	1		Hex L-Nut 5/16-24 Thd.
23	710-0459	1	S	Hex Bolt 3/8-24 x 1.5" Lg. (Grade 5)
	736-0320	1	/P	FI-Wash. .385" I.D. x 1.38"
25	712-0241	1	/P	Hex Nut 3/8-24 Thd.
26	736-0169	1	S	L-Wash. 3/8" I.D.
27	717-0472A	1	S	Steering Gear Segment
28	738-0541	1	S	Shoulder Spacer .622" Dia. x .21 8
29	710-0689	1	/P	Hex Bolt (Nylon) 1/2-13 x .75"
30	736-0160	1	S	FI-Wash. .530" I.D. x .930"
31	712-0206	1	S	Hex Nut 1/2-13 Thd.
32	736-0105	1	/P	Bell-Wash. .385" I.D. x .88"
	712-0241	1	/P	Hex Nut 3/8-24 Thd.
34	736-0119	1	S	L-Wash. 5/16" I.D.
35	712-0267	1	S	Hex Nut 5/16-18 Thd.
36	736-0271	1	S	Spr. Wash. .32" I.D. x .62" O.D.
38	723-0156	1	S	Ball Joint Ass'y. 3/8-24 Thd.
40	747-0417	1	S	Steering Tie Rod
41	15616A	1	S	Front Axle Ass'y.-R.H.
	15617A	1	S	Front Axle Ass'y.-L.H. (Not Shown)
42	741-0487	1	S	Flange Bearing .632" I.D.
43		1	F	Front Wheel Ass'y. Comp.
	734-1454	1	S/F	Wheel Assembly Comp. (11 x 4.0)
44		1		Front Wheel Rim Only
	734-1455	1		Rim Only (11 x 4.0)
46	714-0470	1	S	Cotter Pin 1/8" Dia. x 1.25"*
47	714-0115	1	S	Cotter Pin 1/8" Dia. x 1.00"
48	736-0300	1	S	FI-Wash. .385" I.D. x .87"
50	741-0225	1	S	Hex Flange Bearing
52	736-0156	1	/P	FI-Wash. .635" I.D. x 1.12"
53	15610A	1	S	Pivot Bar Ass'y.
56	15694A	1		Bracket Reinforcement-R.H.
57	710-0776A	1	S	Hex Wash. Hd. AB-Tap Scr. 1/4 x .62" Lg.
58	726-0154	1	S	Cable Tie
59	17677	1		Clutch-Brake Pedal Ass'y.
60	710-0118	1	S	Hex Bolt 5/16-18 x .75" Lg.
61	15699A	1		Bracket Reinforcement-L.H.
62	710-0118	1	S	Hex Bolt 5/16-18 x .75" Lg.
63	711-0222	1		Down Rod

131-521B190 R-10 (1991)  
Steering Assembly

Page 22 of 22

Ref #	Part Number	Qty	S/P/F	Description
64	712-0113	1	S	Wing Nut Solid 1/4-20 Thd.
65	731-0708	1		Battery Hold Down Cover
66	725-0514A	1	S	12V Battery
68	734-1502	1		Hub Cap
69	16513	1		Steering Shaft Ass'y.
70	736-0187	1	/P	FI-Wash. .62" I.D. x 1.25" O.D.
71	750-0532	1	S	Spacer (Plastic)
72	16069	1		Reinf. Brkt. Ass'y.
73	710-0323	1	/P	Truss Mach. Scr. 5/16-18
74	710-0116	1	S	Hex Bolt 5/16-18 x 2.00" Lg.
75	17656A	1		Steering Gear Adjuster Ass'y.
76	727-0425A	1	S	Spring Clip